



SMD Shielded Power Chokes - SDS74M SERIES

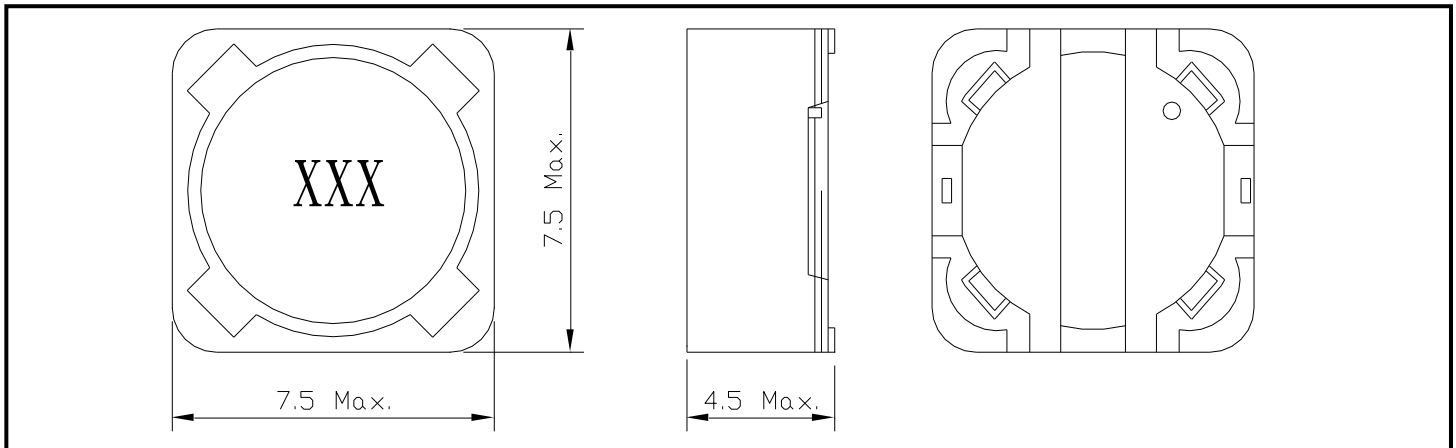


PART NUMBERING SYSTEM

SDS	74M	—	471M	—	LF
TYPE	DIMENSIONS		INDUCTANCE		LEAD FREE

SHAPES AND DIMENSIONS

UNIT : mm



Features:

- Low loss material, tight tolerances, and high saturation current compared to other manufacturers
- MnZn core improves saturation and RDC for highest efficiency
- Ultra low DC resistance
- Suitable for switching frequency up to 10 MHz
- Operating temperature: -40 °C to +125 °C (higher temperature is available upon request)
- Automotive grade / customized specification available

Applications:

- Switch mode power supplies from 0.1 W up to 300 W
- Integrated DC/DC converter
- Ideal for switch mode power supplies with extreme high efficiency (>95%)
- Voltage Regulators
- Filter Circuits
- Routers, modems, wireless devices, and networking equipment
- Industrial control systems, automation equipment, motor drives,
- Televisions, audio systems, gaming consoles, and computer peripherals.

Testing condition:

- DC current at which the inductance drops 10% (typ.) from its value without current.
- Electrical specifications at 25°C .



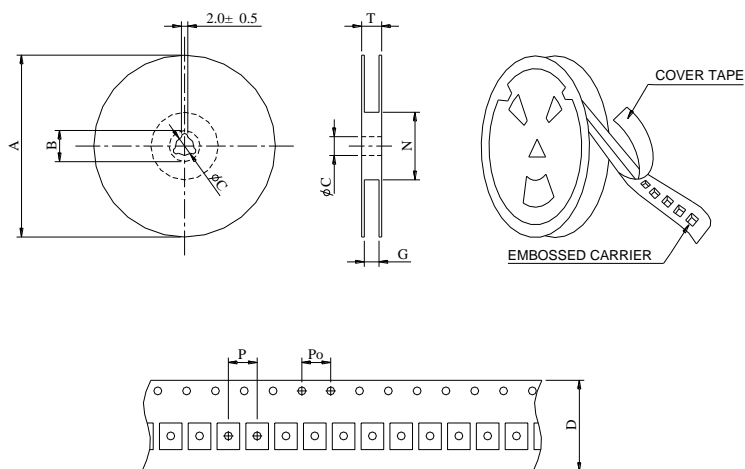
SPECIFICATION TABLE

PART NUMBER	INDUCTANCE (μ H)	DCR (m Ω) (Max.)	Isat (A) (Typ.)	Irms (A) (Typ.)	TEST FREQ. (Freq.)
SDS74M-1R0M-LF	1.0 \pm 20%	13.2	9.5	8.4	100KHz / 0.3V
SDS74M-1R5M-LF	1.5 \pm 20%	15.0	7.9	7.8	100KHz / 0.3V
SDS74M-1R8M-LF	1.8 \pm 20%	17.0	7.7	6.4	100KHz / 0.3V
SDS74M-2R2M-LF	2.2 \pm 20%	19.0	6.8	6.0	100KHz / 0.3V
SDS74M-2R7M-LF	2.7 \pm 20%	23.0	6.3	6.72	100KHz / 0.3V
SDS74M-3R3M-LF	3.3 \pm 20%	27.0	6.0	6.4	100KHz / 0.3V
SDS74M-3R9M-LF	3.9 \pm 20%	30.0	5.4	5.4	100KHz / 0.3V
SDS74M-4R7M-LF	4.7 \pm 20%	34.0	5.0	5.6	100KHz / 0.3V
SDS74M-5R6M-LF	5.6 \pm 20%	42.0	4.1	4.8	100KHz / 0.3V
SDS74M-6R8M-LF	6.8 \pm 20%	48.0	3.8	4.8	100KHz / 0.3V
SDS74M-8R2M-LF	8.2 \pm 20%	58.0	3.6	4.3	100KHz / 0.3V
SDS74M-100M-LF	10 \pm 20%	67.0	2.55	4.0	100KHz / 0.3V
SDS74M-120M-LF	12 \pm 20%	76.0	2.5	3.8	100KHz / 0.3V
SDS74M-150M-LF	15 \pm 20%	95.0	2.4	3.6	100KHz / 0.3V
SDS74M-180M-LF	18 \pm 20%	117	2.1	3.2	100KHz / 0.3V
SDS74M-220M-LF	22 \pm 20%	136	2.0	3.04	100KHz / 0.3V
SDS74M-270M-LF	27 \pm 20%	147	1.9	2.56	100KHz / 0.3V
SDS74M-330M-LF	33 \pm 20%	182	1.65	2.24	100KHz / 0.3V
SDS74M-390M-LF	39 \pm 20%	196	1.55	2.0	100KHz / 0.3V
SDS74M-470M-LF	47 \pm 20%	240	1.50	2.0	100KHz / 0.3V
SDS74M-560M-LF	56 \pm 20%	300	1.35	1.76	100KHz / 0.3V
SDS74M-680M-LF	68 \pm 20%	350	1.25	1.76	100KHz / 0.3V
SDS74M-820M-LF	82 \pm 20%	470	1.10	1.60	100KHz / 0.3V
SDS74M-101M-LF	100 \pm 20%	590	1.00	1.28	100KHz / 0.3V
SDS74M-121M-LF	120 \pm 20%	720	0.90	1.15	100KHz / 0.3V
SDS74M-151M-LF	150 \pm 20%	920	0.75	0.96	100KHz / 0.3V
SDS74M-181M-LF	180 \pm 20%	1030	0.74	0.96	100KHz / 0.3V
SDS74M-221M-LF	220 \pm 20%	1250	0.70	0.85	100KHz / 0.3V
SDS74M-271M-LF	270 \pm 20%	1560	0.63	0.78	100KHz / 0.3V
SDS74M-331M-LF	330 \pm 20%	1940	0.59	0.72	100KHz / 0.3V
SDS74M-391M-LF	390 \pm 20%	2500	0.50	0.57	100KHz / 0.3V
SDS74M-471M-LF	470 \pm 20%	2800	0.45	0.60	100KHz / 0.3V
SDS74M-561M-LF	560 \pm 20%	3600	0.42	0.56	100KHz / 0.3V
SDS74M-681M-LF	680 \pm 20%	4020	0.40	0.48	100KHz / 0.3V
SDS74M-821M-LF	820 \pm 20%	4560	0.35	0.44	100KHz / 0.3V
SDS74M-102M-LF	1000 \pm 20%	6050	0.28	0.38	100KHz / 0.3V
SDS74M-122M-LF	1200 \pm 20%	9400	0.25	0.20	100KHz / 0.3V

Our specification limit the quality of the component to a single unit.
 Please ensure the component is thoroughly evaluated in your application circuit
 Revised Oct 2022



PACKAGING SPECIFICATION



SERIES	STAYLE	Q' TY (PCS)	DIMENSIONS (m/m)								
			A	B ± 0.8	C ± 0.5	D	G $^{+0}$	N $^{-0}$	P	Po	T
SDS74	13-16	1000	330	21	13	16	18	50	12	4	22.4